

1989 Trek Bicycle Brochure

The individual model pages below are those relating to steel-framed bikes in the 89 catalog. The first specifications page includes all 1989 road bikes. The second specifications page is for the 1989 mountain bikes.

1989

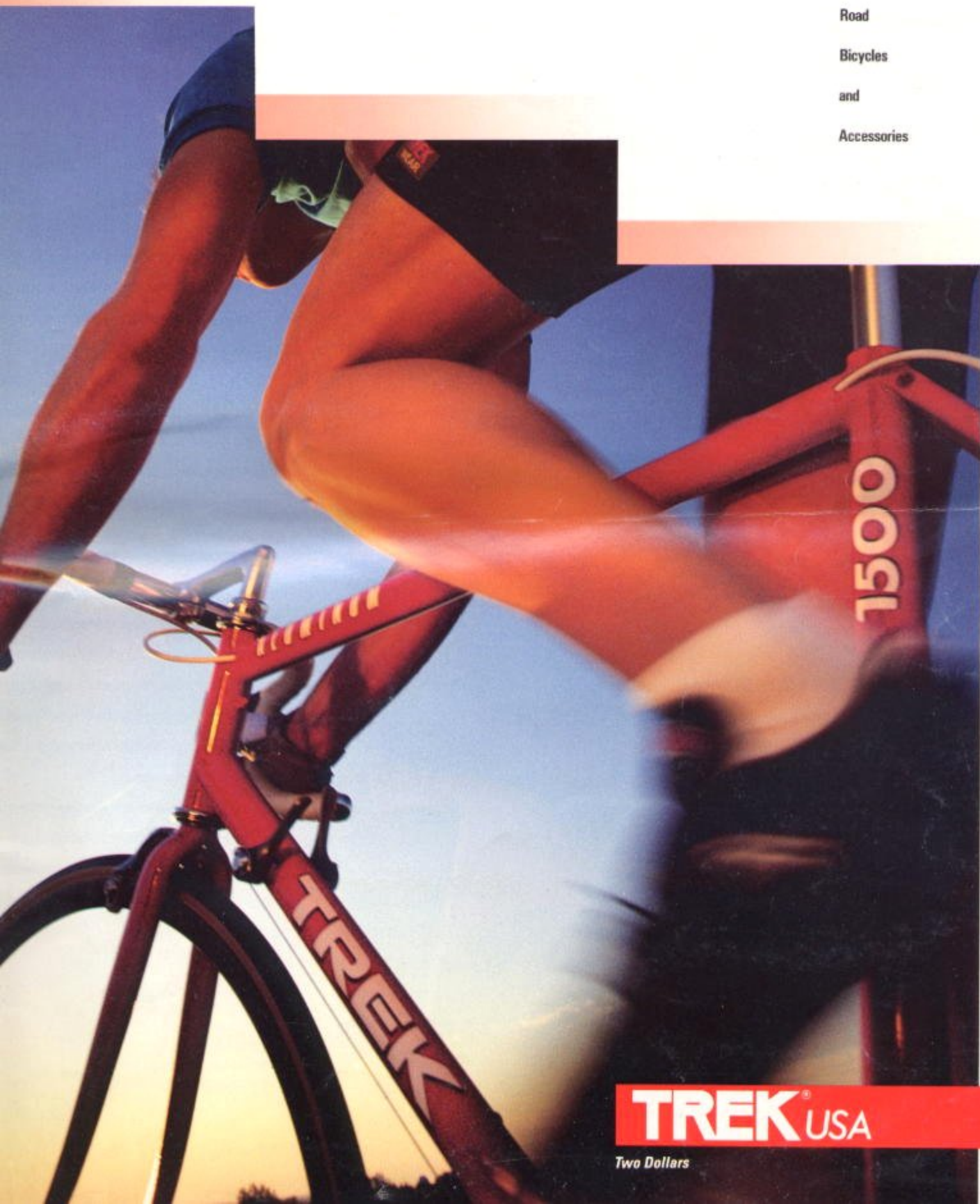
CATALOG

Road

Bicycles

and

Accessories



TREK USA

Two Dollars

CHROMOLY

Now in its second decade of building high quality chromoly framesets, Trek has established a standard of excellence unsurpassed in the industry.

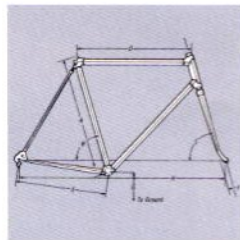
The frame is the most important component of the bicycle, it is responsible for overall handling performance, pedaling efficiency and rider comfort. Unlike companies which will apply a decal on a generic frame, Trek takes frame building seriously.

Not satisfied with traditional design and building methods, Trek has developed a unique way of building frames that are best suited for a specific riding purpose.

Low temperature brazing alloys, including silver, and electronically controlled multi-head brazing fixtures augment the skills of our brazers, to build strong, straight and cleanly joined frames.

Investment cast lugs reinforce frame joints, reduce heat weakening impact on thin tubing and help assure precise and accurate alignment.

Specially designed, custom drawn tubing is lively and provides that distinctive chromoly "road feel" serious cyclists demand. These are not ordinary bicycles. These are the highest quality chromoly road bicycles you can buy.



Function Specific™ geometries are designed to maximize performance for rider size and the intended use of the bicycle.



Designed in conjunction with Trek engineers, True Temper RC 4130 Double Butted frame tubes give you a strong, resilient frame.



Advanced manufacturing processes and skilled hand brazing techniques join the frames at controlled low temperatures for strength and durability.

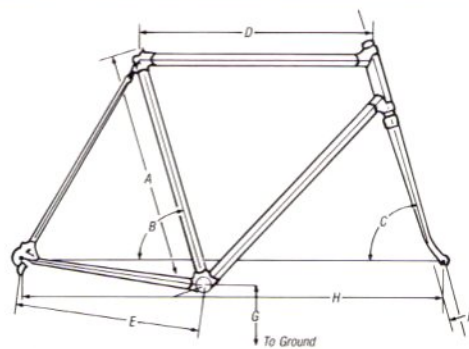


Trek's exclusive investment cast lugs and drop outs provide maximum strength and a more precisely aligned frame.

Technology, Quality and Performance are more than words at Trek, they are a promise we make with each and every bicycle. In our second decade of building bicycles of unsurpassed quality, we are proud to be a leader in American bicycle technology and proud of the superior product that the technology affords our customers.

FRAME GEOMETRY

Model	Frame Size	A	B	C	D	E	F	G	H	Trail
660	18"	45.9	73.5°	72.0°	52.3	41.0	4.5	7.2	97.1	6.2
	19"	50.4	73.5°	73.0°	53.8	41.0	4.5	7.2	97.2	5.6
	21"	52.9	73.5°	73.5°	55.7	41.0	4.5	7.2	98.7	5.3
	22.5"	56.9	73.5°	73.5°	55.8	41.0	4.5	7.2	98.7	5.3
	24"	60.9	73.5°	73.5°	57.9	41.0	4.5	7.2	100.6	5.3
400	25.5"	64.8	73.5°	74.0°	59.1	41.0	4.5	7.2	101.3	5.0
	19"	51.3	72.7°	71.0°	54.3	45.5	5.2	6.5	104.1	6.4
	21"	53.6	72.7°	71.0°	54.9	45.5	5.2	6.5	104.8	6.4
	22.5"	57.9	72.7°	72.0°	56.5	45.5	5.2	6.5	105.6	5.8
	24"	62.0	72.7°	72.0°	57.9	45.5	5.2	6.5	107.1	5.8
520	25.5"	64.4	72.7°	72.0°	58.9	45.5	5.2	6.5	108.1	5.8
	18"	46.2	73.5°	72.0°	52.9	43.0	4.5	7.2	98.7	6.2
	19"	48.9	73.5°	72.0°	52.5	43.0	4.5	7.2	99.3	6.2
	21"	52.6	73.5°	72.0°	54.5	43.0	4.5	7.2	100.9	6.2
	22.5"	56.5	73.5°	73.0°	56.4	43.0	4.5	7.2	102.0	5.6
420	24"	61.6	73.5°	73.0°	58.1	43.0	4.5	7.2	103.6	5.6
	25.5"	64.0	73.5°	73.0°	59.8	43.0	4.5	7.2	105.4	5.6
	19"	48.8	73.5°	72.0°	52.9	43.0	4.5	7.0	100.0	6.2
	21"	52.8	73.5°	72.0°	54.5	43.0	4.5	7.0	100.7	6.2
	22.5"	56.8	73.5°	73.0°	56.5	43.0	4.5	7.0	102.0	5.6
330	24"	61.8	73.5°	73.0°	58.0	43.0	4.5	7.0	103.5	5.6
	25.5"	63.8	73.5°	73.0°	60.0	43.0	4.5	7.0	105.5	5.6



All dimensions are in centimeters, unless otherwise stated.

A criterium geometry racing machine, built by Trek using True Temper Team Issue Double Butted Chromoly tubing. Lightweight and strong for criteriums and short courses, this model is unequalled in performance.

660

RACING
BRAZED CHROMOLY

- SIZES
- 18, 19.5, 21, 22.5, 24 and 25.5"
- FRAME/FORK
- Double Butted Chromoly/Chromoly cast crown
- HUBS
- Shimano Ultegra 7-speed
- RIMS
- Matrix 6061 T6 Aerodynamic ISO C
- TUBES
- Matrix CD-4 700 x 20c
- DRIVE TRAIN
- Shimano Ultegra Group
- BRAKES
- Shimano Ultegra Aero SLR
- FREEWHEEL
- Shimano Ultegra 13 x 24 Cassette



Race ready, the indexed 14-speed Shimano 600 Ultegra drive train is powered by the new BioPace H.P. crankset for speed and efficiency.



True Temper Team Issue tubing, including form blades, make this an incredibly responsive chromoly bicycle.



The fork is Trek built using True Temper chromoly, our unique investment cast crown and light gauge blades for minimum weight and maximum strength.



Shown in Bright White with Red trim, also available in Grey Metallic with Bright Blue trim.



520

TOURING
ANODIZED CHROMOLY

Dedicated to long distance touring, this model has a unique geometry which emphasizes directional stability while loaded, durability and ample clearances for fenders, panniers and other equipment. A reliable workhorse when loaded down, unloaded the 520 has a uniquely luxurious ride.



Powerful Shimano Deore II SLR cantilever brakes keep you firmly in control even while carrying heavy loads.



Matrix CD3K tires with a Kevlar belt for cut resistance are mounted on Titan T hard anodized rims for long distance durable performance.



Shimano Deore II S.I.S. fully indexed derailleur for wide range 21-speed gearing matches your power needs to every road condition.



A Blackburn rack is standard equipment and is mounted to the extended rear triangle.

SIZES
19.5, 21, 22.5, 24 and 25.5"
FRAME/FORK
Double Butted Chromoly/Chromoly
HUBS
Shimano 105 7-speed
RIMS
Matrix 6061 T6 Titan T
TIRES
Matrix CD-3K Kevlar Belt 27 x 1.25
DRIVE TRAIN
Shimano Group
BRAKES
Shimano Cantilevers with 105 Aero SLR
FREEWHEEL
Shimano 13 x 28 Cassette



Ideal for sport, fitness and touring use in areas with rolling terrain. A responsive, yet highly controllable sport geometry meets your needs for range and responsiveness in a bicycle.

420

SPORT TOURING
BRAZED CHROMOLY

\$ 469.95

SIZES
18, 19.5, 21, 22.5, 24 and 25.5"
FRAME/FORK
Double Butted Chromoly/Chromoly
HUBS
Shimano A 450
RIMS
Matrix 6061 T6 Titan
TIRES
Matrix CD-2 700 x 28c
DRIVE TRAIN
Shimano Sport LX Group
BRAKES
Shimano Sport LX Aero SLR
FREEWHEEL
Shimano 13 x 28 Cassette



Shimano SLR brakes give you controlled stopping power even while touring with a heavy load.



Vetta Gel Anatomical saddle softens road shock and improves rider comfort during long distance touring.



New Shimano Sport LX fully indexed gearing system clicks into the gear you need the first time, every time.



Shown in Charcoal with Bright Blue trim, also available in Yellow with Blue trim.



400

PERFORMANCE
ANODIZED CHROMOLY

The 400 delivers a smooth, powerful ride. A criterium geometry frame design built of all True Temper tubing gives you a bike that delivers fun and action on every outing.



SunTour Edge crankset is designed to improve pedaling efficiency and increase your power



Powerful new Edge Balanced Response System brakes provide precise control and maximum stopping performance



The Edge 14-speed derailleur with indexed shifting allows you to change gears smoothly and accurately



Shown in Denim Blue with Yellow trim, also available in Bright Red with Black trim

SIZES
18, 19.5, 21, 22.5, 24 and 25.5"
FRAME/FORK
Double Butted Chromoly/Chromoly
HUBS
Maillard CX 500 Sealed
RIMS
Matrix 6061 T6 Titan
TIRES
Matrix CO-2 700 x 25c
DRIVE TRAIN
SunTour Edge Group
WHEELSET
Dia Compe Edge Aero
FREEWHEEL
SunTour Alpha 13 x 26



Designed by Trek, using the unique Trek investment cast seat lug, the 330 provides an exceptional sport ride. You get quick, dependable performance mile after mile and all the quality you expect from a Trek.

330

SPORT
BRAZED CHROMOLY

SIZES
19.5, 21, 22.5, 24 and 25.5"
FRAME/FORK
Double Butted Chromoly/Chromoly
HUBS
Alloy QR front and rear
RIMS
Weinmann 415X polished alloy
TIRES
Matrix CD-2 700 x 28c
DRIVE TRAIN
Shimano Exage Group
BRAKESET
Shimano Exage Aero SLR
FREEWHEEL
Shimano 14 x 28



Trek designed frame uses exclusive investment cast seat lug. True Temper tubing and Function Specific™ sizing.



True Temper double butted chromoly frame tubes with a chromoly fork are specially designed to enhance durability and lively road feel.



Computer designed BioPace crankset with Shimano's front and rear Exage Action 12-speed gearing system improve pedaling efficiency and makes shifting quick and easy.



Shown in Bright Red with White trim, also available in Charcoal Metallic with Bright Blue trim.



SPECS

ROAD BICYCLE SPECIFICATIONS

TREK BICYCLE CORPORATION LIMITED WARRANTY.

Trek Bicycle Corporation warrants each new Trek bicycle frame and fork against defects in workmanship and materials for the lifetime of the original owner. Trek likewise warrants all original parts for a period of one year from the date of purchase. This warranty is expressly limited to the repair or replacement of a defective frame, fork, or part and is the sole remedy of the warranty.

Claims under this warranty are to be made through an authorized Trek dealer. Proof of purchase is required.

This warranty does not apply to damage or failure due to accident, abuse, neglect, normal wear and tear, improper assembly or maintenance, or installation of parts or accessories not originally intended or incompatible with the bicycle as sold.

Trek shall not be responsible for incidental or consequential damage. The user assumes the risk of any personal injury or damage of the bicycle or other losses if Trek bicycles are used at any time for stunt riding, dirt biking or similar activities, power or motor assist of any kind, competition riding, or anything other than normal use. This warranty gives you specific legal rights and your rights may vary from state to state.

SPECIFICATIONS	ADVANCED MATERIAL		ALUMINUM					CHROMOLY				
MODEL	5000	2300	1500	1400	1200	1100	1000	660	520	420	400	330
FRAME												
COLORS	Bright red w/white	Natural and polished w/turquoise decals	Bright red w/white Intense blue w/white	Intense blue White wired	Black w/magenta White w/mint	Black w/teal Denim blue/yellow	Bright white w/red Intense blue w/white	Bright white w/red Grey metallic w/bright blue	Deep blue w/white	Charcoal w/bright blue Yellow w/blue	Bright red w/black Denim blue w/yellow	Bright red w/white Charcoal metallic w/bright blue
SIZES	52, 54, 56, 58 and 60 cm	50, 52, 54, 56, 58, 60 and 62 cm	50, 52, 54, 56, 58, 60 and 62 cm	50, 52, 54, 56, 58, 60 and 62 cm	50, 52, 54, 56, 58, 60 and 62 cm	50, 52, 54, 56, 58, 60 and 62 cm	50, 52, 54, 56, 58, 60 and 62 cm	18, 19, 21, 22.5, 24 and 25.5"	19.5, 21, 22.5, 24 and 25.5"	18, 19, 21, 22.5, 24 and 25"	18, 19, 21, 22.5, 24 and 25"	19, 21, 22.5, 24 and 25.5"
MAIN TUBES	Carbon fiber and epoxy monocoque	Trek graphite double butted composite	Easton 7000 T7 D.B. aluminum alloy	Trek/Alcoa 6061 T6 aluminum alloy	Trek/Alcoa 6061 T6 aluminum alloy	Trek/Alcoa 6061 T6 aluminum alloy	Trek/Alcoa 6061 T6 aluminum alloy	True Temper RC team issue double butted chromoly	True Temper TR double butted chromoly	True Temper RC double butted chromoly	True Temper RC double butted chromoly	True Temper RC double butted chromoly
STAYS	Carbon fiber and epoxy wishbone	Trek D.B. and tapered aluminum alloy	Trek D.B. and tapered aluminum alloy	Trek tapered aluminum alloy	Trek tapered aluminum alloy	Trek tapered aluminum alloy	Trek tapered aluminum alloy	True Temper chromoly	True Temper chromoly	True Temper chromoly	True Temper chromoly	Hi-tensile steel alloy
SEAT LUG	Carbon fiber with composite tube insert	Trek aluminum alloy	Trek aluminum alloy	Trek aluminum alloy	Trek aluminum alloy	Trek aluminum alloy	Trek aluminum alloy	Trek investment cast	Trek investment cast	Trek investment cast	Trek investment cast	Trek investment cast
DROPOUTS	Trek forged aluminum	Trek forged aluminum	Trek forged aluminum	Trek forged aluminum	Trek forged aluminum	Trek forged aluminum	Trek forged aluminum	Trek investment cast	Trek investment cast	Trek investment cast	Trek investment cast	Forged w/micro-adjust
FORK	Trek bonded aluminum chromoly steerer	Trek bonded aluminum chromoly steerer	Trek bonded aluminum chromoly steerer	Trek bonded aluminum chromoly steerer	Chromoly w/Trek cast crown	Chromoly semi-sloping crown	Chromoly semi-sloping crown	True Temper team w/Trek cast crown and ends	Chromoly sloping crown	Chromoly sloping crown	Chromoly sloping crown	Chromoly sloping crown
HEADSET	Alloy sealed	Alloy sealed	Alloy sealed	Sealed	Sealed	Sealed	Sealed	Sealed	Sealed	Sealed	Sealed	Precision
DRIVETRAIN												
CRANKSET	Shimano new Dura Ace 52/42 w/sealed BB	Shimano 600 Ultegra 52/42 HP Biopace w/sealed BB	Shimano 600 Ultegra 52/42 HP Biopace w/sealed BB	Shimano 105, 52/42 Biopace w/sealed BB	Shimano 105, 52/42 Biopace w/sealed BB	SR Edge 52/42/32 Oval-tech w/sealed BB	SR Edge 52/42 Oval-tech w/sealed BB	Shimano 600 Ultegra 52/42 HP Biopace w/sealed BB	Shimano forged 50/44/28 HP Biopace w/sealed BB	Shimano forged 50/44/28 HP Biopace w/sealed BB	SR Edge 52/42 Oval-tech w/sealed BB	Shimano Exage 52/42 Biopace
FRONT DERAILLEUR	Shimano new Dura Ace	Shimano 600 Ultegra	Shimano 600 Ultegra	Shimano 105	Shimano 105	SunTour Edge GX	SunTour Edge	Shimano 600 Ultegra	Shimano Deore II	Shimano Sport LX GS	SunTour Edge	Shimano Exage action indexing
REAR DERAILLEUR	Shimano new Dura Ace 8-speed S.I.S.	Shimano 600 Ultegra 7-speed S.I.S.	Shimano 600 Ultegra 7-speed S.I.S.	Shimano 105 7-speed indexing	Shimano 105 7-speed indexing	SunTour Edge GX 7-speed accushifft indexing	SunTour Edge 7-speed accushifft indexing	Shimano 600 Ultegra 7-speed S.I.S.	Shimano Deore II 7-speed indexing	Shimano Sport LXGS 7-speed indexing	SunTour Edge 7-speed accushifft indexing	Shimano Exage action indexing
SHIFT LEVERS	Shimano new Dura Ace 8-speed S.I.S.	Shimano 600 Ultegra S.I.S. index control	Shimano 600 Ultegra S.I.S. index control	Shimano 105 S.I.S. index control	Shimano 105 S.I.S. index control	SunTour Edge accushifft indexing	SunTour Edge accushifft indexing	Shimano 600 Ultegra S.I.S.	Shimano S.I.S. index control	Shimano LX S.I.S. indexing	SunTour Edge accushifft indexing	Shimano Exage action for S.I.S. indexing
BRAKESET	Shimano new Dura Ace SLR w/Aero levers	Shimano 600 Ultegra SLR Aero	Shimano 600 Ultegra SLR Aero	Shimano 105 SLR Aero	Shimano 105 SLR Aero	Dia Compe Edge BRS Aero	Dia Compe Edge BRS Aero	Shimano 600 Ultegra SLR Aero	Shimano Deore II cantilevers, w/SLR levers	Shimano SLR Aero	Dia Compe Edge BRS Aero	Shimano Exage action SLR Aero
FREEWHEEL	Shimano new Dura Ace cassette, 12-21, 8-speed	Shimano Ultegra cassette, 13-24, 7-speed	Shimano Ultegra cassette, 13-24, 7-speed	Shimano, silver, 13-24, 7-speed cassette	Shimano, silver, 13-24, 7-speed cassette	SunTour alpha 13-28, 7-speed	SunTour alpha 13-26, 7-speed	Shimano Ultegra cassette 13-24, 7-speed	Shimano, 13-28, 7-speed cassette	Shimano, 13-28, 7-speed cassette	SunTour alpha 13-26, 7-speed	Shimano, 14-28, 6-speed
CHAIN	Shimano CN-7402 narrow	Shimano UG narrow	Shimano UG narrow	Shimano UG narrow	Shimano UG narrow	SunTour GPX narrow	SunTour GPX narrow	Shimano UG narrow	Shimano UG	Shimano UG	SunTour GPX narrow	Shimano UG
HUBSET	Shimano new Dura Ace freehub 32 hole	Shimano Ultegra freehub 32° QR sealed	Shimano Ultegra freehub 32° QR sealed	Shimano 105 freehub 32° QR sealed	Shimano 105 freehub 32° QR sealed	Maillard CX500 36° QR sealed	Maillard CX500 36° QR sealed	Shimano Ultegra freehub 32° QR sealed	Shimano freehub 36° QR sealed	Shimano freehub 36° QR sealed	Maillard CX500 36° QR sealed	Maillard CX500 36° QR sealed
WHEEL SYSTEM												
SPOKES	14G stainless steel	14G stainless steel	14G stainless steel	14G stainless steel	14G stainless steel	14G stainless steel	14G stainless steel	14G stainless steel	14G stainless steel	14G stainless steel	14G stainless steel	14G UCP
RIMS	Matrix ISO-C, 700C, hard anodized	Matrix ISO-C, 700C, hard anodized	Matrix ISO-C, 700C, hard anodized	Matrix ISO-C, 700C, hard anodized	Matrix ISO-C, 700C, hard anodized	Matrix Titan, 700C, hard anodized	Matrix Titan, 700C, hard anodized	Matrix ISO-C, 700C, hard anodized	Matrix Titan-T, 27", hard anodized	Matrix Titan, 700C, hard anodized	Matrix Titan, 700C, hard anodized	ALESA concave polished alloy
TIRES	Matrix CD-6K, 700×18C, Kevlar 130 PSI	Matrix CD-6, 700×18C Kevlar 130 PSI	Matrix CD-4, 700×20C, skinwall, 125 PSI	Matrix CD-3, 700×20C, skinwall, 100 PSI	Matrix CD-3, 700×20C, skinwall, 100 PSI	Matrix CD-2, 700×25C, skinwall, 100 PSI	Matrix CD-2, 700×25C, skinwall, 100 PSI	Matrix CD-4, 700×20C, skinwall, 125 PSI	Matrix CD-3K, 27×1¼", Kevlar skinwall, 95 PSI	Matrix CD-2, 700×28C, skinwall, 100 PSI	Matrix CD-2, 700×25C, skinwall, 100 PSI	Matrix CD-2, 700×28C, skinwall, 100 PSI
COMPONENTS												
PEDALS	Shimano PD-7401 clipless	LOOK Model 66	LOOK Model 66	LOOK Model 66	Shimano new 105 Aero	Alloy quill	Alloy quill	Shimano 600 Ultegra Aero	MKS AR-8 alloy quill	Alloy quill	Alloy quill	Alloy
HANDLEBARS	Modolo alloy anatomic	SR CT alloy anatomic	SR CT alloy anatomic	H.L. alloy	H.L. alloy	H.L. alloy	H.L. alloy	SR CT alloy	H.L. alloy	H.L. alloy	H.L. alloy	H.L. alloy
STEM	Modolo forged alloy	SR FX forged Aero alloy	SR FX forged Aero alloy	H.L. forged Aero alloy black	H.L. forged Aero alloy black	Delta DL Aero alloy	Delta DL Aero alloy	H.L. forged Aero alloy black	H.L. forged Aero alloy	Delta DL Aero alloy	Delta DL Aero alloy	Delta DL Aero alloy
SEAT POST	American Classic alloy with internal expander	Strong micro-adjust alloy, 230 mm	Strong micro-adjust alloy, 230 mm	Micro-adjust alloy, 220 mm	Micro-adjust alloy, 220 mm	Micro-adjust alloy, 220 mm	Micro-adjust alloy, 220 mm	Micro-adjust alloy, 230 mm	Micro-adjust alloy, 220 mm	Micro-adjust alloy, 220 mm	Micro-adjust alloy, 220 mm	Micro-adjust alloy, 220 mm
SADDLE	Sella Italia Turbo	Vetta Gel Racing	Vetta Gel Racing	Vetta Gel Racing	Vetta Gel Racing	Vetta Anatomical Gel	Avocet Racing	Vetta Gel Racing	Vetta Anatomical Gel	Vetta Anatomical Gel	Avocet Racing	Avocet Touring
ACCESSORIES					Cateye nylon toeclips and straps	Cateye nylon toeclips and straps	Shimano Ultegra toeclips and straps	Cateye nylon toeclips and straps	Cateye nylon toeclips and straps, Blackburn rear rack	Cateye nylon toeclips and straps	Cateye nylon toeclips and straps	Toeclips and straps
SPECIAL ADD-ONS	Internal brake and derailleur cable guides, dual bottle mounts, shift lever bosses and	Internal top tube guides, dual bottle mounts, pump peg, shift lever bosses, chain hanger and ft.	Internal top tube guides, dual bottle mounts, pump peg, shift lever bosses, chain hanger and ft.	Internal top tube guides, dual bottle mounts, pump peg, shift lever bosses, chain hanger and ft.	Internal top tube guides, dual bottle mounts, pump peg, shift lever bosses, chain hanger and ft.	Internal top tube guides, dual bottle mounts, pump peg, shift lever bosses and chain hanger	Internal top tube guides, dual bottle mounts, pump peg, shift lever bosses and chain hanger	Top tube guides, dual bottle mounts, pump peg, shift lever bosses and chain hanger	Top tube guides, dual bottle mounts, pump peg, shift lever bosses, chain hanger, brake bosses and	Top tube guides, dual bottle mounts, pump peg, shift lever bosses, rear rack mounts and chain hanger	Top tube guides, dual bottle mounts, pump peg, shift lever bosses and chain hanger	Top tube guides, dual bottle mounts, pump peg, shift lever bosses and chain hanger

Trek Bicycle Corporation warrants each new Trek bicycle frame and fork against defects in workmanship and materials for the lifetime of the original owner. Trek likewise warrants all original parts for a period of one year from the date of purchase. This warranty is expressly limited to the repair or replacement of a defective frame, fork, or part and is the sole remedy of the warranty.

Claims under this warranty are to be made through an authorized Trek dealer. Proof of purchase is required.

This warranty does not apply to damage or failure due to accident, abuse, neglect, normal wear and tear, improper assembly or maintenance, or installation of parts or accessories not originally intended or incompatible with the bicycle as sold.

Trek shall not be responsible for incidental or consequential damage. The user assumes the risk of any personal injury or damage of the bicycle or other losses if Trek bicycles are used at any time for stunt riding, dirt biking or similar activities, power or motor assist of any kind, competition riding, or anything other than normal use. This warranty gives you specific legal rights and your rights may vary from state to state.

SPECIFICATIONS	ATB ALUMINUM			ATB CHROMOLY						
MODEL	8500	8000	7000	990	970	950	850	830	820	800
FRAME										
COLORS	Black w/magenta Teal w/silver	Bright red w/black Intense blue w/white	White w/turquoise Denim blue w/yellow	Black w/magenta White w/mint	Black w/magenta Bright red w/black	Intense blue w/white White w/red	Silver w/bright blue Denim blue w/yellow	Pearl white w/mint Intense blue w/white	Bright red w/white Charcoal met. w/bright blue	Ecru w/blue Black w/teal
SIZES	16.5, 18, 20 & 22"	16.5, 18, 20 & 22"	16.5, 18, 20 & 22"	16.5, 18, 20 & 22"	16.5, 18, 20 & 22"	16.5, 18, 20 & 22"	15, 16.5, 18, 20 & 22"	15, 16.5, 18, 20 & 22" 18" ladies, 16.5" x 24" w	15, 16.5, 18, 20 & 22" 18" ladies	15, 16.5, 18, 20 & 22" mens, 18" ladies, 16.5" x 24" w
MAIN TUBES	Easton 7000 T7 double butted aluminum alloy	Trek/Alcoa 6061 T6 aluminum alloy	Trek/Alcoa 6061 T6 aluminum alloy	True Temper AT ATB double butted chromoly	True Temper AT ATB double butted chromoly	True Temper AT ATB double butted chromoly	Tange ATB double butted chromoly	Tange ATB double butted chromoly	Tange ATB chromoly	Tange ATB chromoly
STAYS	Trek ATB aluminum alloy	Trek ATB aluminum alloy	Trek ATB aluminum alloy	True Temper chromoly	True Temper chromoly	True Temper chromoly	ATB chromoly	ATB chromoly	High Tensile steel alloy	High Tensile steel alloy
SEAT LUG	Trek cast ATB	Trek cast ATB	Trek cast ATB	Trek investment cast ATB	Trek investment cast ATB	Trek investment cast ATB	Lugged & welded	Lugged & welded	Lugged & welded	Lugged & welded
DROPOUTS	Trek forged aluminum ATB	Trek forged aluminum ATB	Trek forged aluminum ATB	Forged vertical	Forged vertical	Forged vertical	Forged vertical w/2 eyelets	Forged vertical w/2 eyelets	Forged vertical w/2 eyelets	Forged vertical w/2 eyelets
FORK	All chromoly uni-crown w/cast ends	All chromoly uni-crown w/cast ends	All chromoly large blade uni-crown	All chromoly straight blade uni-crown w/cast ends	All chromoly uni-crown w/cast ends	All chromoly large blade uni-crown	All chromoly ATB uni-crown	All chromoly ATB uni-crown	All chromoly ATB uni-crown	High Tensile steel alloy uni-crown
HEADSET	Deore sealed	Deore sealed	Sealed	Deore sealed	Deore sealed	Sealed	Sealed	Sealed	Precision	Precision
DRIVE TRAIN										
CRANKSET	Shimano new Deore XT forged alloy 46/36/26 HP Biopace w/sealed BB	Shimano Deore 46/36/26 HP Biopace w/sealed BB	Shimano Mountain LX 46/36/26 HP Biopace w/sealed BB	SunTour XC 9000 Browning 48/38/28 w/sealed BB	Shimano Deore 46/36/26 HP Biopace w/sealed BB	Shimano Mountain LX 46/36/26 HP Biopace w/sealed BB	Shimano Mountain LX 46/36/26 HP Biopace w/sealed BB	SunTour XCE 48/38/28 Oval-tech w/sealed BB	SunTour XCM 48/38/28 Oval-tech w/sealed BB	Shimano Exage Country 48/38/28 Biopace w/sealed BB
FRONT DERAILLEUR	Shimano new Deore XT II	Shimano Deore II	Shimano Mountain LX w/S.I.S. indexing	SunTour/Browning automatic	Shimano Deore II	Shimano Mountain LX	Shimano Mountain LX	SunTour XCE	SunTour XCM	Shimano Exage Country
REAR DERAILLEUR	Shimano new Deore XT II w/S.I.S. indexing, 7-speed	Shimano Deore II w/S.I.S. indexing, 7-speed	Shimano Mountain LX w/S.I.S. indexing, 7-speed	SunTour XC 9000 accushift indexing	Shimano Deore II w/S.I.S. indexing, 7-speed	Shimano Mountain LX w/S.I.S. indexing, 7-speed	Shimano Mountain LX w/S.I.S. indexing, 7-speed	SunTour XCE accushift indexing	SunTour XCM accushift indexing	Shimano Exage Country w/S.I.S.
SHIFT LEVERS	Shimano new Deore XT II thumb-shifters w/S.I.S.	Shimano Deore II thumb-shifters w/S.I.S.	Shimano Mountain LX thumb-shifters w/S.I.S.	SunTour XC 9000 accushift indexing	Shimano Deore II thumb-shifters w/S.I.S.	Shimano Mountain LX thumb-shifters w/S.I.S.	Shimano Mountain LX thumb-shifters w/S.I.S.	SunTour XCE 7-speed accushift indexing	SunTour XCM w/accushift	Shimano Exage Country w/S.I.S.
BRAKESET	Shimano Deore XT II SLR cantilevers, 2-finger levers	Shimano Deore II SLR cantilevers, 2-finger levers	Shimano Mountain LX cantilevers w/SLR levers	SunTour XC-9000 self- energizing cantilevers	Shimano Deore II SLR cantilevers, 2-finger levers	Shimano Mountain LX cantilevers, w/SLR levers	Shimano Mountain LX cantilevers w/SLR levers	Dia Compe new 984 BRS cantilever	Dia Compe XCM cantilever & BRS top mount XCE center pull	Shimano Exage Country cantilever w/SLR ATB levers
FREEWHEEL	Shimano Deore, 12-28, 7-speed, Hyperglide	Shimano Deore, 13-30, 7-speed, Hyperglide	Shimano, 13-30, 7-speed, Hyperglide	SunTour, 13-30, 6-speed	Shimano Deore, 13-30, 7-speed, Hyperglide	Shimano, 13-30, 7-speed, Hyperglide	Shimano, 13-30, 7-speed, Hyperglide	SunTour, 13-30, 7-speed	SunTour, 14-32, 6-speed	Shimano, 14-28, 6-speed
CHAIN	Shimano Deore XT II	Shimano Deore II	Shimano Deore II	Sedisport	Shimano Deore II	Shimano Deore II	Shimano Deore II	SunTour GPX	SunTour New Z	Shimano UG
HUBSET	Shimano new Deore XT freehub, QR 32 H	Shimano Deore II freehub sealed, QR 32 H	Shimano Mountain LX freehub sealed, QR FT & R	SunTour XC 9000 sealed, QR 32 H	Shimano Deore freehub sealed, QR 32 H	Shimano Mountain LX freehub sealed, QR FT & R	Shimano Mountain LX freehub sealed, QR FT & R	Alloy sealed, QR FT & R	Alloy sealed, w/QR front	Alloy sealed, w/QR front
WHEEL SYSTEM										
SPOKES	14G stainless steel	14G stainless steel	14G stainless steel	14G stainless steel	14G stainless steel	14G stainless steel	14G stainless steel	14G UCP	14G UCP	14G UCP
RIMS	Matrix Single Track 32 H, 26 x 1.5"	Matrix Single Track 32 H, 26 x 1.5"	Matrix Single Track 26 x 1.5"	Matrix Single Track 26 x 1.5"	Matrix Single Track 32 H, 26 x 1.5"	Matrix Single Track 26 x 1.5"	Araya 7X-N 26 x 1.5" black anodized	Araya MP-22 26 x 1.5" alloy	Araya MP-22 26 x 1.5" alloy	Araya MP-22 26 x 1.5" alloy
TIRES	Matrix Single Track AT 26 x 2.0"	Matrix Single Track AT 26 x 2.0"	Matrix Single Track AT 26 x 2.0"	Matrix Single Track AT 26 x 2.0"	Matrix Single Track AT 26 x 2.0"	Matrix Single Track AT 26 x 1.95"	Matrix Single Track AT 26 x 1.95"	Matrix Single Track AT 26 x 1.95"	Matrix CDX, 26 x 1.5"	Matrix CDX, 26 x 1.5"
COMPONENTS										
PEDALS	Shimano Deore XT comp.	Shimano Deore II comp.	HTI nylon ATB comp.	SR MTP-126	Shimano Deore II comp.	HTI nylon ATB comp.	HTI nylon ATB	HTI nylon ATB	HTI nylon ATB	HTI nylon ATB
HANDLEBARS	True Temper chromoly comp. black	True Temper chromoly comp. black	True Temper black chromoly flat / 22" w	True Temper chromoly comp. black	True Temper chromoly comp. black	True Temper chromoly flat / 22" w	Competition black flat / 23.5" w	Competition black flat / 23.5" w	Trail, black low rise	Trail, black low rise
STEM	Chromoly Tioga T-bone comp. black	Chromoly Tioga T-bone comp. black	H.L. chromoly comp. black	Chromoly Tioga T-bone comp. black	Chromoly Tioga T-bone comp. black	H.L. chromoly comp. black	H.L. comp. black	H.L. comp. black	Forged alloy, black	Forged alloy, black
SEAT POST	Strong micro-adjust alloy, 300 mm	Strong micro-adjust alloy, 300 mm	Micro-adjust alloy, 300 mm	Strong micro-adjust alloy, 300 mm	Strong micro-adjust alloy, 300 mm	Micro-adjust alloy, 300 mm	Micro-adjust alloy, 300 mm	Micro-adjust alloy, 300 mm	Micro-adjust alloy, 300 mm	Chromoly 300 mm, C.P.
SADDLE	Vetta Gel Racing	Vetta Gel Anatomical	Vetta Gel Anatomical	Vetta Gel Racing	Vetta Gel Anatomical	Vetta Gel Anatomical	Avocet Touring	Avocet Touring	Viscount Terra B-1	Viscount new Terra Country
ACCESSORIES	Shimano seat post QR ATB toeclips and straps	Shimano seat post QR ATB toeclips and straps	Seat post QR toeclips and straps	Seat post QR ATB toeclips and straps	Shimano seat post QR ATB toeclips and straps	QR seat post toeclips and straps	QR seat post toeclips and straps	QR seat post binder	QR seat post binder	QR seat post binder
SPECIAL ADD-ONS	Dual bottle mounts and chain hanger	Dual bottle mounts and chain hanger	Dual bottle mounts and chain hanger	Dual bottle mounts, rear rack mounts and chain hanger	Dual bottle mounts, rear rack mounts and chain hanger	Dual bottle mounts, rear rack mounts and chain hanger	Bottle mounts, rear rack mounts and chain hanger	Bottle mounts, rear rack mounts and chain hanger	Bottle mounts, rear rack mounts and chain hanger	Bottle mounts, rear rack mounts and chain hanger